



GENERAL PURPOSE SEAL CATALOGUE BY BENCO



WWW.BENCOSEALS.COM.AU

CONTENTS

BENCO SEALS

Profile & Capabilities

SEAL IDENTIFICATION

Seal Basics

Seal Index

Seal Reference Chart

SEAL INFORMATION

Seal Specifications

Dimensional Data

BENCO SEALS

BENCO SEALS Profile & Capabilities

OUR PROFILE

Benco Seals is a 2nd generation family owned business dedicated to providing its clients with unparalleled service, quality assurance and product reliability.

We are an innovative team of Engineers, Tradesmen and Technicians, with the capability and experience to provide our customers with excellent products, services and support for their rotary shaft equipment sealing needs.

Backed by a global support team of Manufacturers and Suppliers with over 40 years of experience in the mechanical sealing industry, Benco Seals has the ability to source, manufacture, design and supply a wide variety of shaft sealing systems.

***UNPARALLELED SERVICE,
QUALITY ASSURANCE &
PRODUCT RELIABILITY.***

LOCAL CAPABILITIES

EX-STOCK SUPPLY

Huge range of ex-stock seals offering thousands of different type, size and material combinations.

RECONDITIONING

All types and makes of mechanical seals, primarily designed to save costs on replacement seals or when new parts are not available.

URGENT SERVICE

For breakdowns, or when a seal is required same day, we offer an urgent supply or repair turn-around, usually at no extra charge.

MANUFACTURING

High quality machining, specialising in stainless steel, from one-off requirements to large volume runs.

GENERAL LAPPING

Components and parts in a wide variety of materials that require a flat precision finish.

ENGINEERING & DESIGN

Customised seals and components to solve Mechanical Sealing problems.

CARBON PRODUCTS

Carbon machining in a wide variety of grades to suit any application.

DIAMOND GRINDING

Surface and O.D. grinding of hard faced Seal components.

O-RINGS & GASKETS

Available in all materials and sizes.

ENGINEERING PLASTICS

Machining of components for high-wear or harsh chemical applications.

WHY CHOOSE BENCO?

RESPONSIVENESS

Delivering products, repairs and service same day or overnight.

EXPERIENCE

Key team members each with over a decade of experience in the mechanical sealing and associated industries.

CUSTOMER FOCUSED

Close knit team of dedicated engineers, tradesmen and technicians offering unparalleled service and support.

COST EFFECTIVENESS

Balance of local manufacturing capability with worldwide cost efficient sourcing.

QUALITY DRIVEN

Striving to provide unbeatable service, quality assurance and product reliability.

INNOVATIVE

Dedicated to making it easier and quicker to identify and supply the right seal for the right application.

PRIDE

2nd generation Australian owned and operated company.

WWW.BENCOSEALS.COM.AU

MECHANICAL SHAFT SEALS

Benco Seals offers a complete line of component seals, available in an extensive range of types, sizes, configurations and material combinations to suit almost any application.

Benco Seals stocks a wide range of OEM replacement seals, and if we don't have a direct replacement seal on the shelf, we can provide you with an alternative seal design at a fraction of the cost, with the correct material combination to suit your application.

We also offer a large and versatile range of Cartridge Seals that can be customized to suit your requirements.

Benco Seals can even advise on an improved seal design and material combination to make the seal easier to install, add repairability, increase seal life or even make it less expensive.

AN EXTENSIVE RANGE OF TYPES, SIZES, CONFIGURATIONS & MATERIAL COMBINATIONS

GLAND PACKING

We offer a full range of standard sized stuffing box packing in various grades to suit almost any application requirements.

Most of our Packing is available by the metre or by the box (8m), and we also offer an additional service to cut and form "ready to install" Gland Packing Rings to suit almost any sized shaft and stuffing box.





SEAL RECONDITIONING

The team at Benco Seals is dedicated to professionally repair all brands and styles of Mechanical Seals to like-new condition, focusing strongly on quality, responsiveness and cost effectiveness.

Our Brisbane based service and repair facility is equipped to handle any mechanical seal repair requirement and our in-house capabilities significantly reduce overall repair time.

In addition, our experience and knowledge in the repair and reconditioning of mechanical seals, gives our customers the confidence of knowing their seal will be reconditioned correctly every time.

**PROFESSIONALLY
REPAIR ALL BRANDS
AND STYLES OF
MECHANICAL SEALS**

SPECIALTY SEALS DESIGNED AND MANUFACTURED

At Benco Seals, we approach Mechanical Sealing problems from multiple disciplines in order to come up with the best solutions available.

Whether it's an application with limited stuffing box or sealing area, or a harsh environment application where seal failure is a common occurrence, Benco Seals can advise and assist with new seal designs and material selections to optimise seal life and simplify maintenance.

SEAL IDENTIFICATION

SEAL IDENTIFICATION

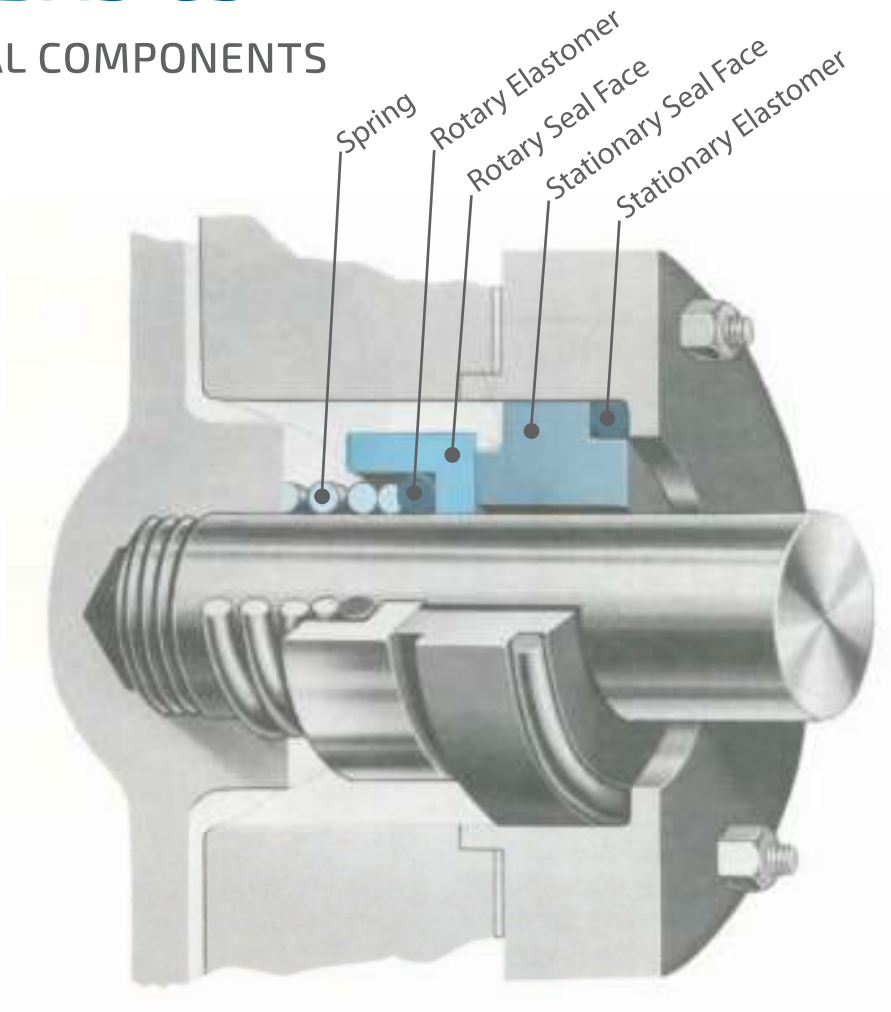
Seal Basics

Seal Index

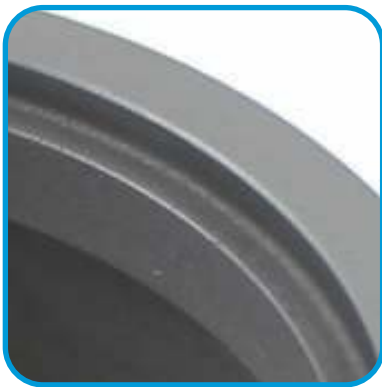
Seal Reference Chart

SEAL BASICS

BASIC SEAL COMPONENTS



BASIC SEAL FACE MATERIALS



CARBON

Physical Appearance: Matt Black

Maximum Temperature: 260°C (*Standard Grade*)

- Most Common Seal Face Material
- Economical
- Self-lubricating
- Good Corrosion Resistance
- Excellent Wear Characteristics
- Lower Mechanical Strength
- Prone to Blistering
- Higher Grades Available



CERAMIC

Physical Appearance: Off-white

Maximum Temperature: 177°C

- 2nd Most Common Seal Face Material
- Economical
- Excellent Wear Characteristics
- Susceptible to Thermal Shock

SEAL BASICS

BASIC SEAL FACE MATERIALS



STAINLESS STEEL

Physical Appearance: Machined Stainless
Maximum Temperature: 315°C (*Standard Grade*)

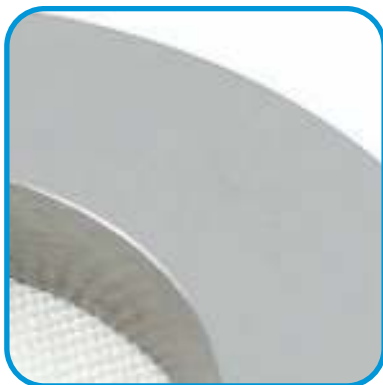
- Good Corrosion Resistance
- Economical
- Resistant to Thermal Shock
- Range of Grades Available
- Suited for Oils, Water & Mild Caustic
- Adaptable to Non-Standard Sizes & Shapes
- Poor Wear Characteristics



SILICON CARBIDE

Physical Appearance: Dark Greenish-Grey
Maximum Temperature: 430°C (*Standard Grade*)

- Extremely Hard
- High Density & Tensile Strength
- Thermal Shock Resistant
- Low Thermal Expansion
- Higher Grades Available
- Chemically Inert
- Brittle



TUNGSTEN CARBIDE

Physical Appearance: Light Grey
Maximum Temperature: 400°C (*Standard Grade*)

- Extremely Hard
- Thermal Shock Resistant
- Higher Grades Available
- Excellent Wear Characteristics
- More Expensive Than Other Materials



NIRESIST

Physical Appearance: Mild Steel Grey
Maximum Temperature: 177°C

- Solid Cast Iron & Nickel
- Economical
- Suited for Petroleum Products, Oils & Sulphur
- Excellent Thermal Conductivity
- Not Recommended for use in Water

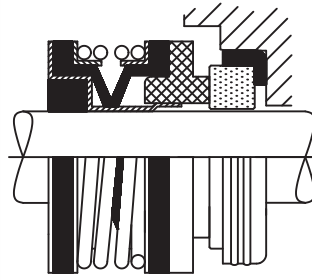
SEAL INDEX

GENERAL PURPOSE SEALS

T16



Page 22



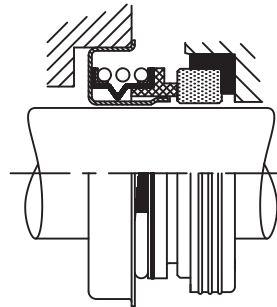
EQUIVALENT

John Crane Type 6
EagleBurgmann BT-PNT
Sealol Type 6
AESSEAL B04
James Walker RB
Pacseal Type 16

T68



Page 24



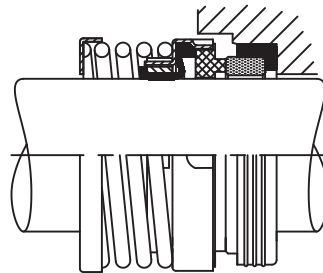
EQUIVALENT

John Crane Type 6A
EagleBurgmann BT-A2
Sealol Type 7
AESSEAL B03
James Walker RG
Pacseal Type 68

T21



Page 26



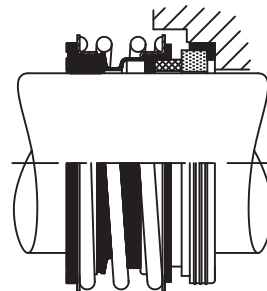
EQUIVALENT

John Crane Type 21
EagleBurgmann EA560
Sealol Type 43
AESSEAL P04
James Walker RA
Pacseal Type 21

G1



Page 28



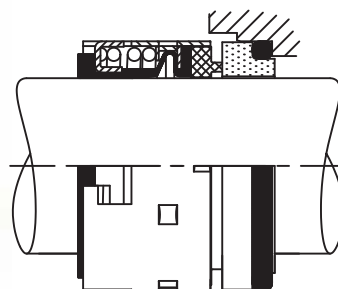
EQUIVALENT

EagleBurgmann MG1
AESSEAL B02
Pacseal Type 190

G2



Page 30



EQUIVALENT

John Crane Type 502
AESSEAL B07

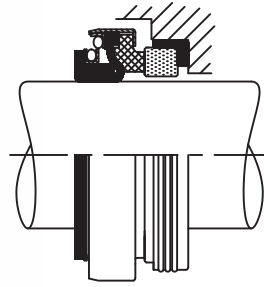
SEAL INDEX

GENERAL PURPOSE SEALS

T55



Page 32



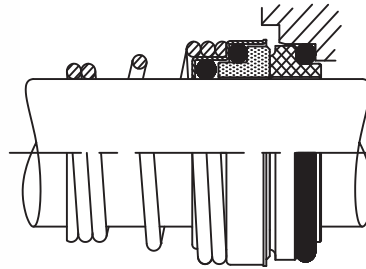
EQUIVALENT

John Crane (Cyclam) PR/DR
EagleBurgmann BT-AR
Roten 37B/L5
AESSEAL B01
James Walker RC/RD
Flowserve 118

R3



Page 34



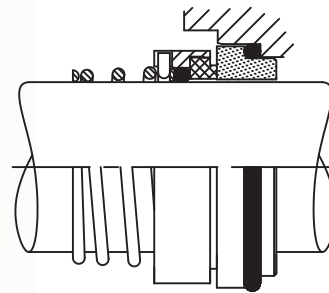
EQUIVALENT

Simplex
EagleBurgmann BT-FN
Roten UNITEN 3
AESSEAL T04
Vulcan 13
Flowserve 43D

M32



Page 36



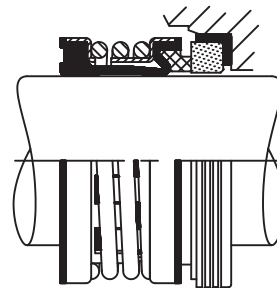
EQUIVALENT

EagleBurgmann M32
Roten L4B
AESSEAL T01
Flowserve 38

T2100



Page 38



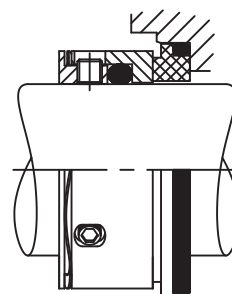
EQUIVALENT

John Crane 2100
AESSEAL B05/B09
Vulcan 14DIN
Flowserve 140

T80



Page 40



EQUIVALENT

John Crane 80/87
Roten 7K
AESSEAL W01
Vulcan 1688
Flowserve 168

SEAL REFERENCE

BELLOWS SEALS



T16



T16 PAC



T55



T68



T68B



T68U



T21



T21D



G1



G12/G13/G1520



G2

SEAL IDENTIFICATION

SEAL REFERENCE

BELLOWS SEALS CONT.



T2100



T70



T156



T104



T1



T2

O-RING PUSHER SEALS



R3



M32



T5



T89



T202



T80

SEAL IDENTIFICATION

SEAL REFERENCE

SPECIALITY SEALS

SEAL IDENTIFICATION



T740



T1000



T2000



T3000



T4000

SEATS



CM



LO



OG



SM



DO

SEAL IDENTIFICATION QUICK REFERENCE CHART

	T16	T68	T21	G1	G2	T55	R3	M32	T5	T156	T70	T104	T1	T2	T89	T2100	T202	T80	T740	T1000	T2000	T3000	T4000	T6000	
END CAP SELECTION																									
SPRING CAP			•								•		•												
DRIVE COLLAR / DRIVE BODY																									
MOULDED RUBBER END				•	•	•					•														
SLEEVE	•																								
SPRING SELECTION																									
PARALLEL SPRING	•	•	•	•	•	•					•	•	•	•	•	•	•								
CONICAL SPRING						•	•	•	•																
TANG DRIVEN SPRING								•	•																
MULTI-SPRING																		•			•	•		•	
WAVE SPRING																		•							
METAL BELLOW																							•		
ROTARY ELASTOMER SELECTION																									
BELLOWS MOUNTED ROTARY	•	•	•	•	•	•					•	•	•	•	•	•	•	•	•	•	•	•	•	•	•
O-RING MOUNTED ROTARY																									
ROTARY BODY SELECTION																									
METAL HOUSING / RETAINER		•				•																			
RUBBER DRIVE RING	•																								
DRIVE BAND			•											•											
THRUST RING (L BAND)																									
TANGED DRIVE BAND																									
SPRING DRIVEN HEAD																									
PIN / DIMPLE DRIVEN HEAD																									
SEAL FACE SELECTION																									
BELLOWS MOUNTED FACE	•	•	•	•	•	•					•	•	•	•	•	•	•	•	•	•	•	•	•	•	•
O-RING MOUNTED FACE																									
SOLID HEAD / INSERTED FACE																									
AVAILABLE SEAT OPTIONS																									
CUP MOUNTED (CM)	•	•	•	•	•	•	•																		
END O-RING MOUNTED (LO)																									
GROOVE O-RING MOUNTED (OG)																									
SPECIAL (OEM SPECIFIC)	•	•	•	•	•	•																			



SEAL INFORMATION

SEAL INFORMATION

Seal Specifications
Dimensional Data

GENERAL PURPOSE SEAL

T16 - T16 Pac



DESIGN FEATURES

- **Rubber Bellows**
Maximum flexibility provided by the rubber bellows, allows the seal to compensate for shaft movement and wear.
- **Rubber Drive Band**
The rubber drive band grips the shaft to provide both sealing and drive, eliminating the need for grub screws and drive pins.
- **Non-Clogging Single Coil Spring**
Provides greater reliability by preventing the build-up of solids & decreasing the chances of seal hang-up.

APPLICATIONS

- Recommended for low pressure services on general light duty industrial applications.
- Water Pumps, Circulatory Pumps, Jet Pumps & Swimming Pool Pumps.
- Garbage Disposal Units, Domestic & Commercial Washing Machines & Automotive Water Pumps.

OPERATING CONDITIONS

- **Pressure**
≤ 7 Bar. (100 psi)
- **Temperature**
- 40°C ~ 100°C
- **Shaft Speed**
≤ 5m/sec

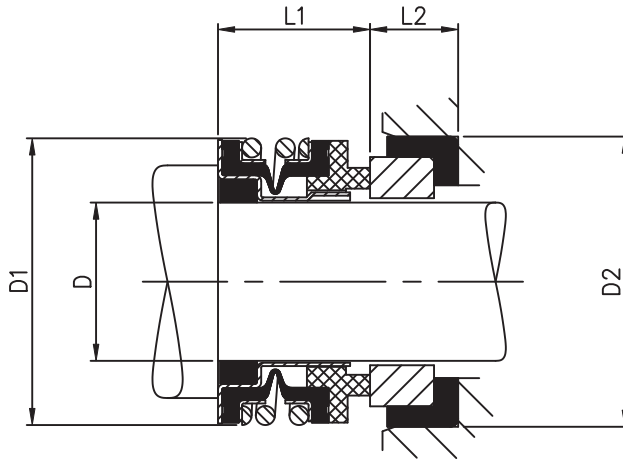
MATERIAL OPTIONS

- **Retainer / Spring**
302 SS / 304 SS / 316 SS
- **Rotary Face**
Carbon & Silicon Carbide
- **Stationary Face**
Ceramic, 316 SS, Ni-Resist & Silicon Carbide
- **Elastomers**
Nitrile & Viton

SIZE RANGE

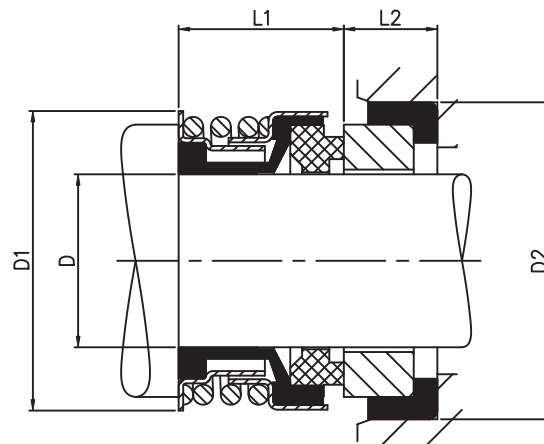
- **Imperial Shaft Size**
0.375" ~ 1.000"
- **Metric Shaft Size**
12mm ~ 14mm





T16 Dimensions

SHAFT SIZE	D	D1	D2	L1	L2
0.375" (3/8")	9.53	24.0	22.22	16.7	6.3
0.500" (1/2")	12.70	27.3	25.40	18.3	8.0
0.625" (5/8")	15.88	31.3	31.75	18.3	10.3
0.625" (5/8")	15.88	31.3	30.00	18.3	8.5
0.625" (5/8")	15.88	31.3	38.10	18.3	6.4
0.625" (5/8")	15.88	31.3	39.00	18.3	7.0
0.750" (3/4")	19.05	34.3	34.95	18.3	10.3
0.750" (3/4")	19.05	34.3	38.10	18.3	6.4
1.000" (1")	25.40	43.5	41.30	20.7	11.0



T16 Pac Dimensions

SHAFT SIZE	D	D1	D2	L1	L2
12mm	12.00	23.3	24.00	16.3	4.5
14mm	14.00	30.4	30.00	18.6	8.5
0.750" (3/4")	19.05	33.0	34.95	18.3	10.3

SEAL INFORMATION

GENERAL PURPOSE SEAL T68 - T68B - T68U



DESIGN FEATURES

- **Rubber Bellows**
Maximum flexibility provided by the rubber bellows, allows the seal to compensate for shaft movement and wear.
- **Press Metal Housing**
The direct drive of the press metal housing provides superior performance in higher speed applications.
- **Single Coil Spring**
Provides greater reliability by providing constant face loading under a multitude of seal conditions.

APPLICATIONS

- Recommended for low pressure services on general light duty industrial applications.
- Water Pumps, Circulatory Pumps, Jet Pumps & Swimming Pool Pumps.
- Garbage Disposal Units, Domestic & Commercial Washing Machines & Automotive Water Pumps.

OPERATING CONDITIONS

- **Pressure**
External ≤ 5 Bar. (75 psi)
Internal ≤ 1.4 Bar. (20 psi)
- **Temperature**
- 40°C ~ 204°C
- **Shaft Speed**
 ≤ 8 m/sec

MATERIAL OPTIONS

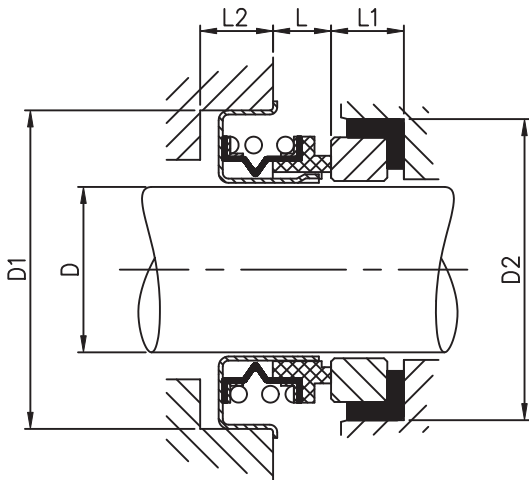
- **Retainer / Spring**
302 SS / 304 SS / 316 SS
- **Rotary Face**
Carbon & Silicon Carbide
- **Stationary Face**
Ceramic, 316 SS, Ni-Resist & Silicon Carbide
- **Elastomers**
Nitrile & Viton

SIZE RANGE

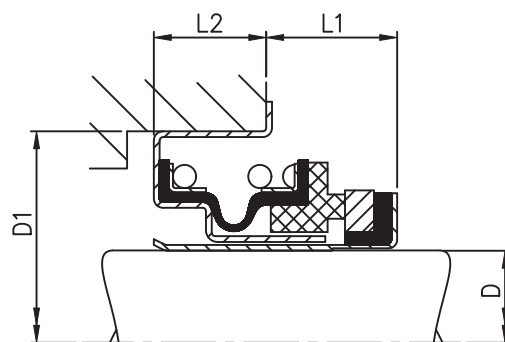
- **Imperial Shaft Size**
0.312" ~ 1.125"



T68 Dimensions



SHAFT SIZE	D	D1	D2	L	L1	L2
0.375" (3/8")	9.53	28.58	22.22	1.7	4.1	8.7
0.500" (1/2")	12.70	28.58	25.40	5.2	6.4	8.9
0.500" (1/2")	12.70	30.10	24.00	5.2	6.4	8.9
0.500" (1/2")	12.70	30.30	25.00	6.4	5.0	8.9
0.625" (5/8")	15.88	36.50	31.75	6.8	10.3	8.9
0.625" (5/8")	15.88	36.50	38.10	6.8	6.4	8.9
0.625" (5/8")	15.88	36.50	31.00	6.8	5.5	8.9
0.625" (5/8")	15.88	36.50	26.30	5.8	5.5	8.9
0.750" (3/4")	19.05	40.00	34.95	6.8	10.3	9.7
0.750" (3/4")	19.05	40.00	35.00	6.8	5.0	9.7
0.750" (3/4")	19.05	40.00	38.10	6.8	6.4	9.7
20mm	20.00	40.00	31.75	6.8	9.0	9.7
1.000" (1")	25.40	47.00	41.30	8.0	11.0	10.0
1.125" (1 1/8")	28.58	52.00	48.00	7.5	8.5	11.0

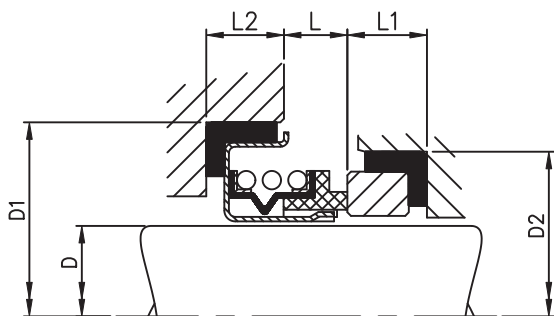


T68U Dimensions

SHAFT SIZE	D	D1	L1	L2
12mm	12.00	28.58	8.9	8.7
12mm	12.00	30.00	8.9	8.7
12mm	12.00	33.30	8.9	8.7
0.500" (1/2")	12.70	28.58	8.9	8.7
0.500" (1/2")	12.70	30.00	8.9	8.7
0.500" (1/2")	12.70	33.30	10.8	8.7
0.625" (5/8")	15.88	36.50	10.8	8.7
15mm	15.00	36.50	10.8	8.7
0.625" (5/8")	15.88	38.10	10.8	8.7
0.625" (5/8")	15.88	38.50	10.8	8.7
0.625" (5/8")	15.88	39.40	10.8	8.7
0.625" (5/8")	15.88	30.00	8.9	8.7

T68B Dimensions

SHAFT SIZE	D	D1	D2	L	L1	L2
0.500" (1/2")	12.70	32.50	25.00	5.2	5.0	9.0
0.625" (5/8")	15.88	41.28	31.75	6.8	9.0	10.0
0.750" (3/4")	19.05	45.00	35.00	6.8	5.0	11.5
1.000" (1")	25.40	52.00	41.30	8.0	11.0	12.0
1.125" (1 1/8")	28.58	58.00	48.00	7.5	8.5	12.5



SEAL INFORMATION

DESIGN FEATURES

- **Self Aligning**
Compensates for irregular shaft end play and run-out, seal face wear and equipment tolerances, leading to improved service life.
- **Mechanical Drive**
The drive band's design reduces stressing in the rubber bellows, eliminating slippage and protecting the shaft and sleeve from wear.
- **Non-Clogging, Single Coil Spring**
Provides greater reliability than multi spring designs, preventing the build-up of solids & decreasing the chances of seal hang-up.

APPLICATIONS

- Centrifugal, Hydraulic, Rotary & Turbine Pumps.
- Compressors, Chillers, Mixers, Agitators, Blenders & Other Rotary Shaft Equipment.
- Industrial, Food Processing, Waste Water Treatment, Fire Services & Other General Applications.

OPERATING CONDITIONS

- **Pressure**
≤ 10 Bar. (145 psi)
- **Temperature**
- 35°C ~ 205°C
- **Shaft Speed**
≤ 10m/sec

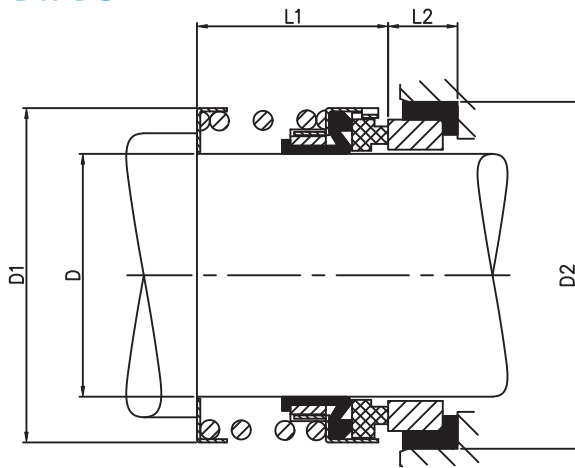
MATERIAL OPTIONS

- **Retainer/Spring**
302 SS / 304 SS / 316 SS
- **Rotary Face**
Carbon, Silicon Carbide & Tungsten Carbide
- **Stationary Face**
Ceramic, 316 SS, Ni-Resist, Silicon Carbide & Tungsten Carbide
- **Elastomers**
Nitrile, Viton & EPDM

SIZE RANGE

- **Imperial Shaft Size**
0.375" ~ 3.000"
- **Metric Shaft Size**
12mm ~ 75mm





T21 Dimensions

Imperial

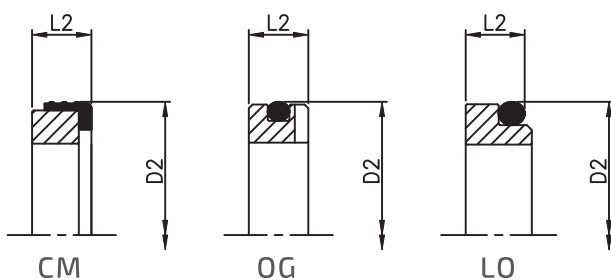
Metric

SHAFT SIZE	D	D1	D2	L1	L2
0.375" (3/8")	9.53	20.6	22.20	22.2	6.3
0.500" (1/2")	12.70	23.0	25.40	22.2	8.0
0.625" (5/8")	15.88	26.7	31.75	22.2	10.3
0.750" (3/4")	19.05	30.5	34.90	22.2	10.3
0.875" (7/8")	22.23	33.6	38.10	24.0	11.0
1.000" (1")	25.40	39.5	41.30	25.4	11.0
1.125" (1 1/8")	28.58	43.7	44.45	27.0	11.0
1.250" (1 1/4")	31.75	46.2	47.60	27.0	11.0
1.375" (1 3/8")	34.93	50.8	50.80	28.5	11.0
1.500" (1 1/2")	38.10	54.2	54.10	28.5	11.0
1.625" (1 5/8")	41.28	57.7	60.30	35.0	12.7
1.750" (1 3/4")	44.45	61.2	63.50	35.0	12.7
1.875" (1 7/8")	47.63	65.2	66.65	38.0	12.7
2.000" (2")	50.80	70.5	69.85	38.0	12.7
2.125" (2 1/8")	53.98	75.0	76.20	43.0	14.3
2.250" (2 1/4")	57.15	79.0	79.40	43.0	14.3
2.375" (2 3/8")	60.33	82.0	82.55	46.0	14.3
2.500" (2 1/2")	63.50	86.7	85.70	46.0	14.3
2.625" (2 5/8")	66.68	86.8	85.70	49.0	16.0
2.750" (2 3/4")	69.85	94.7	88.90	49.0	16.0
2.875" (2 7/8")	73.03	97.0	95.25	52.5	16.0
3.000" (3")	76.20	99.0	98.40	52.5	16.0

SHAFT SIZE	D	D1	D2	L1	L2
12mm	12.00	22.0	26.00	17.5	6.5
14mm	14.00	26.5	28.00	18.0	7.0
15mm	15.00	26.5	28.00	18.0	7.0
16mm	16.00	26.7	27.00	25.7	10.3
18mm	18.00	30.5	33.00	27.2	10.3
20mm	20.00	33.6	35.00	27.2	10.3
22mm	22.00	33.6	37.00	27.2	10.3
24mm	24.00	39.5	39.00	29.0	11.0
25mm	25.00	39.5	40.00	29.0	11.0
28mm	28.00	43.7	43.00	31.5	11.0
30mm	30.00	46.2	45.00	31.5	11.0
32mm	32.00	46.2	48.00	31.5	11.0
33mm	33.00	49.7	48.00	31.5	11.0
35mm	35.00	50.8	50.00	31.5	11.0
38mm	38.00	54.2	56.00	34.0	11.0
40mm	40.00	57.7	58.00	32.3	12.7
43mm	43.00	61.2	61.00	32.3	12.7
45mm	45.00	61.2	63.00	32.3	12.7
48mm	48.00	65.2	66.00	32.3	12.7
50mm	50.00	70.5	70.00	34.8	12.7
53mm	53.00	75.0	73.00	33.3	14.3
55mm	55.00	79.0	75.00	33.3	14.3
58mm	58.00	82.0	78.00	38.3	14.3
60mm	60.00	86.7	80.00	38.3	14.3
65mm	65.00	86.8	85.00	36.0	16.0
70mm	70.00	94.7	92.00	44.0	16.0
75mm	75.00	99.0	97.00	44.0	16.0

SEAL INFORMATION

Seat Options



GENERAL PURPOSE SEAL G1 - G12 - G13 - G1S20



DESIGN FEATURES

- **Self Aligning**
Compensates for irregular shaft end play and run-out, seal face wear and equipment tolerances, leading to improved service life.
- **L-Ring Drive**
The L-Ring Drive reduces stressing in the rubber bellows, eliminating slippage and protecting the shaft and sleeve from wear.
- **Non-Clogging Single Coil Spring**
Provides greater reliability than multi spring designs, preventing the build-up of solids & decreasing the chances of seal hang-up.

APPLICATIONS

- Recommended for use in harsh conditions and abrasive media.
- Suitable for almost all Sectors of Industry: e.g. Waste Water Industry, Food & Beverage Industry and Chemical Industry.
- Water Pumps, Sewage Pumps, Oil Circulating Pumps, Submersible Pumps.

OPERATING CONDITIONS

- **Pressure**
≤ 12 Bar. (175 psi)
- **Temperature**
- 40°C ~ 150°C
- **Shaft Speed**
≤ 13m/sec

MATERIAL OPTIONS

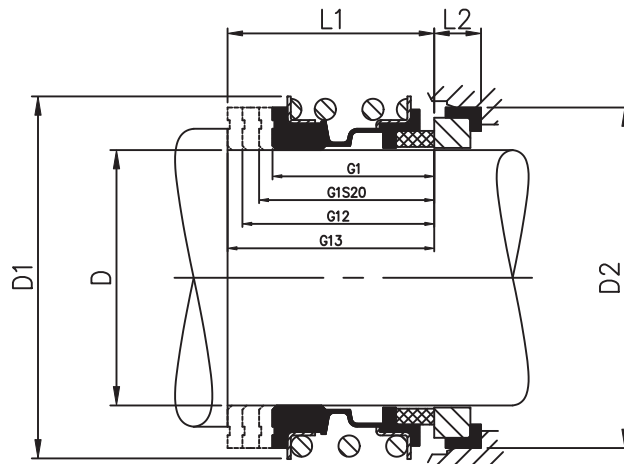
- **Retainer/Spring**
302 SS / 304 SS / 316 SS
- **Rotary Face**
Carbon & Silicon Carbide
- **Stationary Face**
316 SS, Ni-Resist & Silicon Carbide
- **Elastomers**
Viton & Ethylene Propylene (EP)

SIZE RANGE

- **Metric Shaft Size**
10mm ~ 100mm



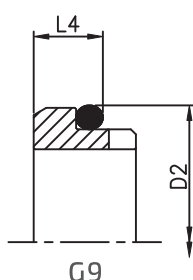
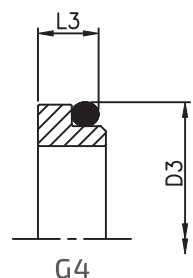
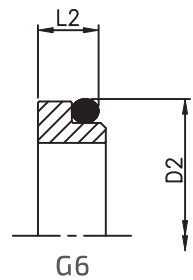
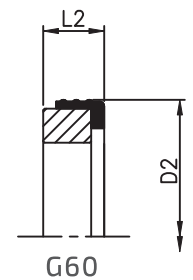
G1 - G12 - G13 - G1S20



G1 Dimensions

SHAFT SIZE	D	D1	D2	D3	G1	L1			L2	L3	L4
10mm	10.00	22.5	21.00	19.20	14.5	25.0	25.9	33.4	6.6	6.6	10.0
12mm	12.00	25.0	23.00	21.60	15.0	25.0	25.9	33.4	6.6	5.6	10.0
14mm	14.00	28.5	25.00	24.60	17.0	25.0	28.4	33.4	6.6	5.6	10.0
15mm	15.00	28.5	27.00	24.60	17.0	25.0	28.4	33.4	6.6	6.6	-
16mm	16.00	28.5	27.00	28.00	17.0	25.0	28.4	33.4	6.6	7.5	10.0
17mm	17.00	32.0	33.00	-	19.5	-	-	-	7.5	-	-
18mm	18.00	32.0	33.00	30.00	19.5	25.0	30.0	37.5	7.5	8.0	11.5
19mm	19.00	37.0	35.00	-	21.5	-	-	-	7.5	-	-
20mm	20.00	37.0	35.00	35.00	21.5	25.0	30.0	37.5	7.5	7.5	11.5
22mm	22.00	37.0	37.00	35.00	21.5	25.0	30.0	37.5	7.5	7.5	11.5
24mm	24.00	42.5	39.00	38.00	22.5	25.0	32.5	42.5	7.5	7.5	11.5
25mm	25.00	42.5	40.00	38.00	23.0	25.0	32.5	42.5	7.5	7.5	11.5
28mm	28.00	49.0	43.00	42.00	26.5	33.0	35.0	42.5	7.5	9.0	11.5
30mm	30.00	49.0	45.00	45.00	26.5	33.0	35.0	42.5	7.5	10.5	11.5
32mm	32.00	53.5	48.00	48.00	27.5	33.0	35.0	47.5	7.5	10.5	11.5
33mm	33.00	53.5	48.00	50.00	27.5	33.0	35.0	47.5	7.5	11.0	11.5
35mm	35.00	57.0	50.00	52.00	28.5	33.0	35.0	47.5	7.5	11.0	11.5
38mm	38.00	59.0	56.00	55.00	30.0	33.0	36.0	46.0	9.0	10.3	14.0
40mm	40.00	62.0	58.00	58.00	30.0	33.0	36.0	46.0	9.0	10.8	14.0
43mm	43.00	65.5	61.00	62.00	30.0	41.0	36.0	51.0	9.0	12.0	14.0
45mm	45.00	68.0	63.00	64.00	30.0	41.0	36.0	51.0	9.0	11.6	14.0
48mm	48.00	70.5	66.00	68.40	30.5	41.0	36.0	51.0	9.0	11.6	14.0
50mm	50.00	74.0	70.00	69.30	30.5	41.0	38.0	50.5	9.5	11.6	15.0
53mm	53.00	78.5	73.00	72.30	33.0	41.0	36.5	59.0	11.0	12.3	15.0
55mm	55.00	81.0	75.00	75.40	35.0	41.0	36.5	59.0	11.0	13.3	15.0
58mm	58.00	85.5	78.00	78.40	37.0	41.0	41.5	59.0	11.0	13.3	15.0
60mm	60.00	88.5	80.00	80.40	38.0	41.0	41.5	59.0	11.0	13.3	15.0
65mm	65.00	93.5	85.00	85.40	40.0	49.0	41.5	69.0	11.0	13.0	15.0
68mm	68.00	96.5	90.00	91.50	40.0	49.0	41.2	68.7	11.3	13.7	18.0
70mm	70.00	99.5	92.00	92.00	40.0	49.0	48.7	68.7	11.3	13.0	18.0
75mm	75.00	107.0	97.00	99.00	40.0	52.0	48.7	68.7	11.3	14.0	18.0
80mm	80.00	112.0	105.00	104.00	40.0	56.0	48.0	78.0	12.0	15.0	18.2
85mm	85.00	120.0	110.00	109.00	41.0	56.0	46.0	76.0	14.0	14.8	18.2
90mm	90.00	127.0	115.00	114.00	45.0	59.0	51.0	76.0	14.0	14.8	18.2
95mm	95.00	132.0	120.00	120.30	46.0	59.0	51.0	76.0	14.0	15.8	17.2
100mm	100.00	137.0	125.00	123.30	47.0	62.0	51.0	76.0	14.0	15.8	17.2

Seat Options



SEAL INFORMATION

DESIGN FEATURES

- **Self Aligning**
Compensates for irregular shaft end play and run-out, seal face wear and equipment tolerances, leading to improved service life.
- **Robust & Compact Design**
Full convolution rubber bellows with stainless steel housing and interchangeable seal face. Supplied completely assembled for easy installation in confined spaces.
- **Non-Clogging Single Coil Spring**
Provides greater reliability than multi spring designs, preventing the build-up of solids & decreasing the chances of seal hang-up.

APPLICATIONS

- Recommended for applications where stuffing box space and gland depth is limited.
- Used in high performance / high pressure general services applications.
- Suitable for almost all Sectors of Industry: e.g. Waste Water Industry, Food & Beverage Industry & Chemical Industry.

OPERATING CONDITIONS

- **Pressure**
≤ 40 Bar. (580 psi)
- **Temperature**
- 40°C ~ 204°C
- **Shaft Speed**
≤ 13m/sec

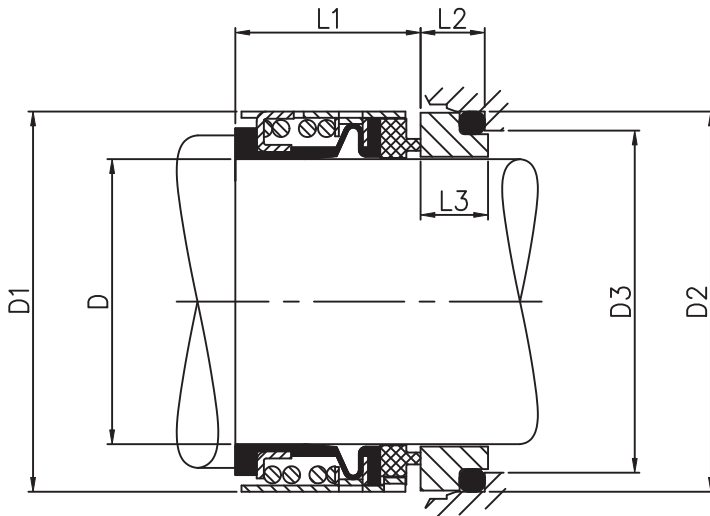
MATERIAL OPTIONS

- **Retainer/Spring**
302 SS / 304 SS /316 SS
- **Rotary Face**
Carbon & Silicon Carbide
- **Stationary Face**
Ceramic, 316 SS, Ni-Resist & Silicon Carbide
- **Elastomers**
Viton & Ethylene Propylene (EP)

SIZE RANGE

- **Metric Shaft Size**
20mm ~ 75mm





G2 Dimensions

SHAFT SIZE	D	D1	D2	D3	L1	L2
20mm	20.00	34.0	35.00	29.0	24.0	13.5
22mm	22.00	36.0	37.00	31.0	24.0	13.5
24mm	24.00	38.0	39.00	33.0	26.7	13.5
25mm	25.00	39.0	40.00	34.0	27.0	13.0
28mm	28.00	42.0	43.00	37.0	30.0	12.5
30mm	30.00	44.0	45.00	39.0	30.5	12.0
32mm	32.00	46.0	48.00	42.0	30.5	12.0
33mm	33.00	47.0	48.00	42.0	30.5	12.0
35mm	35.00	49.0	50.00	44.0	30.5	12.0
38mm	38.00	54.0	56.00	49.0	32.0	13.0
40mm	40.00	56.0	58.00	51.0	32.0	13.0
43mm	43.00	59.0	61.00	54.0	32.0	13.0
45mm	45.00	61.0	63.00	56.0	32.0	13.0
48mm	48.00	64.0	66.00	59.0	32.0	13.0
50mm	50.00	66.0	70.00	62.0	34.0	13.5
53mm	53.00	69.0	73.00	65.0	34.0	13.5
55mm	55.00	71.0	75.00	67.0	34.0	13.5
58mm	58.00	78.0	78.00	70.0	39.0	13.5
60mm	60.00	80.0	80.00	72.0	39.0	13.5
63mm	63.00	83.0	83.00	75.0	39.0	13.5
65mm	65.00	85.0	85.00	77.0	39.0	13.5
70mm	70.00	88.0	90.00	81.0	39.0	13.5
75mm	75.00	96.0	97.00	88.0	45.5	14.5

SEAL INFORMATION

DESIGN FEATURES

- **Simple And Compact**
Simple design and compact working length allows for installation in a wide variety of pumps where axial space is limited.
- **Reliable & Durable**
The enclosed flexible rubber bellows design, protecting the shaft along the whole length of the seal, ensures reliable and durable sealing in robust operating conditions.
- **Design Limitation**
The compact design limits the spring cross-section which can lead to spring failure when exposed to high chemical concentration and water high in salinity.

APPLICATIONS

- General Domestic & Industrial applications: e.g. Food & Beverage Processing, Waste Water Treatment, Fire Services and Water Transfer.
- Pool Pumps, Clean Water Pumps, Circulatory Pumps, Trash Pumps, Sewage Pumps, Submersible Pumps.

OPERATING CONDITIONS

- **Pressure**
≤ 6 Bar. (87 psi)
- **Temperature**
- 30°C ~ 100°C
- **Shaft Speed**
≤ 12m/sec

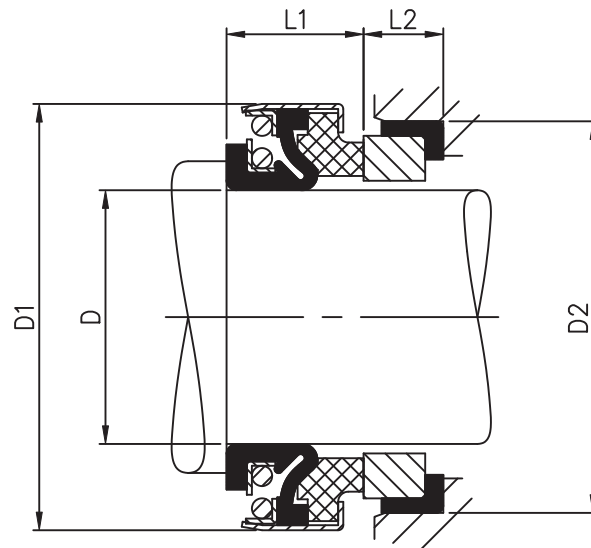
MATERIAL OPTIONS

- **Retainer/Spring**
302 SS / 304 SS
- **Rotary Face**
Carbon, Silicon Carbide & Tungsten Carbide
- **Stationary Face**
Ceramic, 316 SS, Silicon Carbide & Tungsten Carbide
- **Elastomers**
Nitrile

SIZE RANGE

- **Metric Shaft Size**
6mm ~ 60mm
- **Imperial Shaft Size**
0.375" ~ 1.000"





T55 Dimensions

Metric DR

SHAFT SIZE	D	D1	D2	L1	L2
6mm	6.00	18.0	22.00	11.0	4.0
8mm	8.00	18.0	22.00	11.0	4.0
10mm	10.00	24.0	26.00	13.0	8.0
11mm	11.00	24.0	26.00	13.0	8.0
12mm	12.00	24.0	26.00	13.0	8.0
13mm	13.00	24.0	26.00	13.0	8.0
14mm	14.00	32.0	29.50	13.5	7.5
15mm	15.00	32.0	29.50	13.5	7.5
16mm	16.00	32.0	29.50	13.5	7.5
17mm	17.00	39.0	42.00	13.0	8.0
18mm	18.00	39.0	42.00	13.0	8.0
19mm	19.00	39.0	42.00	13.0	8.0
20mm	20.00	39.0	42.00	13.0	8.0
22mm	22.00	42.0	45.00	13.0	10.0
23mm	23.00	47.0	50.00	13.5	10.0
24mm	24.00	47.0	50.00	13.5	10.0
25mm	25.00	47.0	45.00	13.5	10.0
26mm	26.00	47.0	50.00	13.5	10.0
27mm	27.00	47.0	50.00	13.5	10.0
28mm	28.00	54.0	57.00	15.0	10.0
30mm	30.00	54.0	57.00	15.0	10.0
32mm	32.00	54.0	57.00	15.0	10.0
35mm	35.00	60.0	63.00	16.0	10.0
38mm	38.00	65.0	68.00	18.0	12.0
40mm	40.00	65.0	68.00	18.0	12.0
45mm	45.00	70.0	73.00	20.0	12.0
50mm	50.00	85.0	88.00	23.0	15.0
55mm	55.00	85.0	88.00	23.0	15.0
60mm	60.00	105.0	110.00	30.0	15.0

Metric PR

SHAFT SIZE	D	D1	D2	L1	L2
14mm	14.00	27.5	28.50	13.0	8.0
15mm	15.00	27.5	30.00	13.0	8.0
16mm	16.00	27.5	30.00	13.0	8.0
20mm	20.00	35.0	38.00	13.0	8.0
22mm	22.00	39.0	42.00	13.0	8.0
25mm	25.00	42.0	50.00	13.0	10.0

Imperial

SHAFT SIZE	D	D1	D2	L1	L2
0.375" (3/8")	9.53	24.0	22.20	16.7	6.3
0.500" (1/2")	12.70	24.0	25.40	18.3	8.0
0.625" (5/8")	15.88	32.0	31.75	18.3	10.3
0.750" (3/4")	19.05	32.0	34.95	18.3	10.3
1.000" (1")	25.40	42.0	41.30	20.7	11.0

Interchangeable with T16 Standard Seal

Special

SHAFT SIZE	D	D1	D2	L1	L2
12mm	12.00	24.0	26.00	13.0	5.5
13mm	13.00	24.0	26.00	13.0	5.5
* 14mm	14.00	27.5	25.00	13.0	7.7
14mm	14.00	27.5	26.00	13.0	5.5
14mm	14.00	27.5	28.50	13.0	7.5
14mm	14.00	27.5	29.50	13.0	8.0
* 16mm	16.00	32.0	27.00	13.5	8.0
20mm	20.00	35.0	35.00	13.0	8.0
22mm	22.00	42.0	50.00	13.0	10.0

* = Supplied with LO Seat as Standard

DESIGN FEATURES

- **Simple And Reliable**
The simplicity of the design accommodates for both misalignment & vibration by combining the versatility of an O-Ring and the reliability of a single coil spring.
- **Compatibility**
The wide choice of O-Ring and face material combinations provides excellent compatibility in almost any application.
- **Spring Driven**
Uni-Directional tapered single coil spring provides the seal with positive drive & greater reliability.

APPLICATIONS

- Capable of handling a wide range of applications.
- Suitable for almost all Sectors of Industry: e.g. Waste Water Industry, Food & Beverage Industry and Chemical Industry.
- Water Pumps, Circulation Pumps, Fuel Pumps, Sewage Pumps, Submersible Pumps & Chemical Pumps.

OPERATING CONDITIONS

- **Pressure**
≤ 10 Bar. (145 psi)
- **Temperature**
- 30°C ~ 204°C
- **Shaft Speed**
≤ 13m/sec

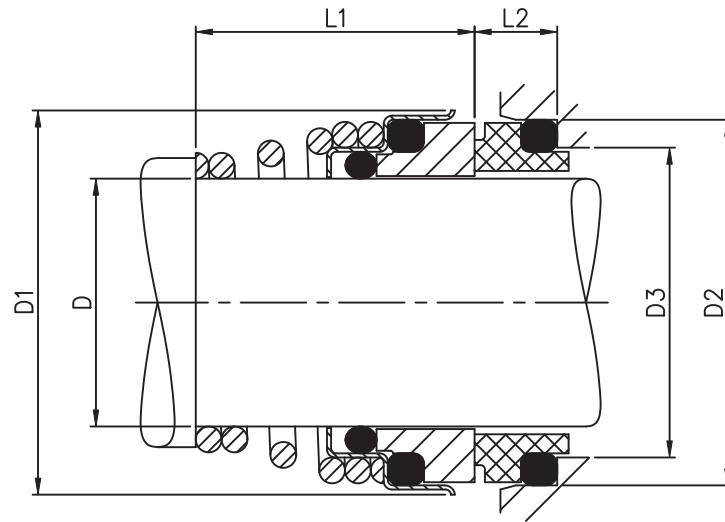
MATERIAL OPTIONS

- **Retainer/Spring**
302 SS / 304 SS
- **Rotary Face**
Ceramic, Carbon, Silicon Carbide & Tungsten Carbide
- **Stationary Face**
Carbon, Ceramic, Silicon Carbide & Tungsten Carbide
- **Elastomers**
Nitrile, Viton, Neoprene & EPR

SIZE RANGE

- **Metric Shaft Size**
10mm ~ 40mm



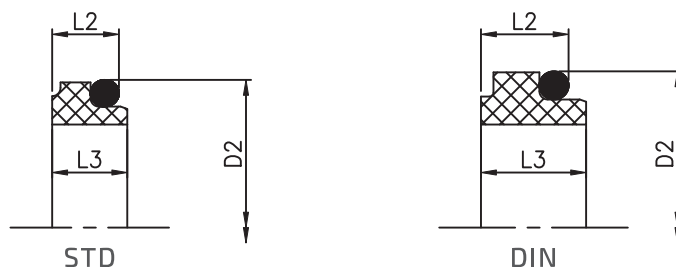


R3 Dimensions

SHAFT SIZE	D	D1	L1	STD Seat				DIN Seat			
				D2	D3	L2	L3	D2	D3	L2	L3
10mm	10.00	20.0	15.0	18.10	14.0	5.5	7.0	21.00	14.0	7.0	9.5
11mm	11.00	22.0	18.0	20.60	16.5	5.5	7.0	-	-	-	-
12mm	12.00	22.0	18.0	20.60	16.5	5.5	7.0	23.00	16.5	7.0	9.5
13mm	13.00	25.0	22.0	23.10	19.0	6.0	7.5	-	-	-	-
* 14mm	14.00	25.0	20.0	23.10	19.0	6.0	7.5	-	-	-	-
14mm	14.00	25.0	22.0	23.10	19.0	6.0	7.5	25.00	21.0	7.0	9.5
15mm	15.00	27.8	22.0	26.90	21.0	7.0	8.5	-	-	-	-
16mm	16.00	28.7	23.0	26.90	21.0	7.0	8.5	27.00	23.0	7.0	9.5
17mm	17.00	28.7	23.0	26.90	21.0	7.0	8.5	-	-	-	-
18mm	18.00	32.7	24.0	30.90	25.0	8.0	9.5	33.00	27.0	10.0	12.5
19mm	19.00	32.7	25.0	30.90	25.0	8.0	9.5	-	-	-	-
20mm	20.00	32.7	25.0	30.90	25.0	8.0	9.5	35.00	29.0	10.0	12.5
22mm	22.00	37.2	25.0	35.40	30.0	8.0	9.5	37.00	31.0	10.0	12.5
24mm	24.00	37.2	27.0	35.40	30.0	8.0	9.5	39.00	33.0	10.0	12.5
25mm	25.00	40.0	27.0	38.20	33.0	8.5	10.0	40.00	34.0	10.0	12.5
28mm	28.00	45.0	29.0	43.30	38.0	9.0	10.5	43.00	37.0	10.0	13.0
30mm	30.00	45.0	30.0	43.30	38.0	9.0	10.5	45.00	39.0	10.0	13.0
32mm	32.00	45.5	30.0	43.30	38.0	9.0	10.5	48.00	42.0	10.0	13.0
33mm	33.00	49.5	39.0	-	-	-	-	48.00	42.0	10.0	13.0
35mm	35.00	49.5	39.0	53.50	45.0	11.5	13.0	50.00	44.0	10.0	13.0
38mm	38.00	58.2	39.0	60.50	52.0	11.5	13.0	56.00	49.0	16.0	19.0
40mm	40.00	58.2	39.0	60.50	52.0	11.5	13.0	58.00	51.0	16.0	19.0

* = Special Shorter Rotary Working Length

Seat Options



DESIGN FEATURES

- **Rugged And Reliable**
The Simplicity of the Design accommodates for both misalignment & vibration by combining the versatility of an O-Ring and the reliability of a single coil spring.
- **Chemical Compatibility**
The wide choice of O-Ring and face material combinations provides excellent compatibility in almost any chemical application.
- **Conical Single Coil Spring**
Dependent on the shaft rotation, right or left-hand springs provide the seal with positive drive & greater reliability.

APPLICATIONS

- Capable of handling a wide range of chemicals & abrasive media.
- Suitable for almost all Sectors of Industry: e.g. Waste Water Industry, Food & Beverage Industry and Chemical Industry.
- Water Pumps, Oil Circulating Pumps, Fuel Pumps, Sewage Pumps, Submersible Pumps & Chemical Pumps.

OPERATING CONDITIONS

- **Pressure**
≤ 10 Bar. (145 psi)
- **Temperature**
- 30°C ~ 204°C
- **Shaft Speed**
≤ 13m/sec

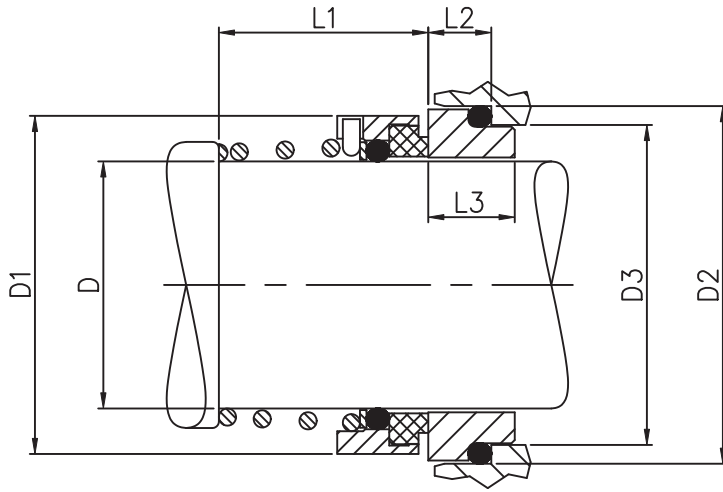
MATERIAL OPTIONS

- **Retainer/Spring**
304 SS / 316 SS
- **Rotary Face**
Carbon, 316 SS, Silicon Carbide & Tungsten Carbide
- **Stationary Face**
Ceramic, 316 SS, Ni-Resist, Silicon Carbide & Tungsten Carbide
- **Elastomers**
Nitrile, Viton, Neoprene & EPR

SIZE RANGE

- **Metric Shaft Size**
10mm ~ 80mm





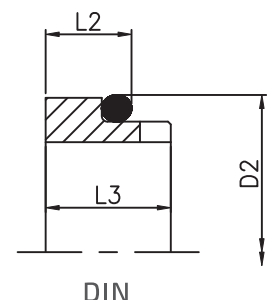
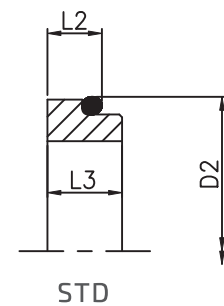
M32 Dimensions

STD Seat

DIN Seat

SHAFT SIZE	D	D1	L1	D2	D3	L2	L3	D2	D3	L2	L3
10mm	10.00	20.0	15.9	19.20	15.5	5.5	8.6	21.00	17.0	11.6	18.3
12mm	12.00	22.0	17.4	21.60	17.5	5.5	8.1	23.00	19.0	10.1	16.6
14mm	14.00	24.0	17.4	24.60	20.5	6.0	8.1	25.00	21.0	10.1	16.6
15mm	15.00	25.0	17.4	24.60	20.5	7.0	9.1	-	-	-	-
16mm	16.00	26.0	19.0	28.00	22.0	7.0	10.0	27.00	23.0	10.5	17.0
18mm	18.00	28.0	20.5	30.00	24.0	7.0	10.5	33.00	27.0	11.5	18.0
19mm	19.00	33.0	22.0	35.00	29.5	8.0	10.5	-	-	-	-
20mm	20.00	34.0	22.0	35.00	29.5	8.0	10.5	35.00	29.0	11.5	18.5
22mm	22.00	36.0	23.5	35.00	29.5	8.0	10.5	37.00	31.0	11.5	18.0
24mm	24.00	38.0	25.0	38.00	32.0	8.0	10.5	39.00	33.0	11.5	18.0
25mm	25.00	39.0	26.5	38.00	32.0	8.5	10.5	40.00	34.0	11.5	18.0
26mm	26.00	40.0	26.5	40.00	34.0	9.0	11.0	-	-	-	-
28mm	28.00	42.0	26.5	42.00	36.0	9.0	12.0	43.00	37.0	11.5	18.0
30mm	30.00	44.0	25.0	45.00	39.2	9.0	13.5	45.00	39.0	13.0	19.5
32mm	32.00	46.0	28.5	48.00	42.2	11.5	13.5	48.00	42.0	11.5	18.0
33mm	33.00	47.0	28.0	-	-	-	-	48.00	42.0	12.0	18.5
35mm	35.00	49.0	28.5	52.00	46.2	11.5	14.0	50.00	44.0	11.5	18.0
38mm	38.00	52.0	32.2	55.00	49.2	11.5	13.3	56.00	49.0	15.3	22.3
40mm	40.00	56.0	34.7	58.00	52.2	8.0	13.8	58.00	51.0	15.3	22.3
42mm	42.00	58.0	37.3	62.00	53.3	8.0	14.7	-	-	-	-
43mm	43.00	59.0	38.5	-	-	-	-	61.00	54.0	14.0	21.0
45mm	45.00	61.0	39.2	64.00	55.3	8.0	14.3	63.00	56.0	16.3	23.3
48mm	48.00	64.0	44.7	68.40	59.7	8.5	14.3	66.00	59.0	15.3	22.3
50mm	50.00	66.0	45.7	69.30	60.8	9.0	14.3	70.00	62.0	14.3	20.8
53mm	53.00	69.0	47.0	-	-	-	-	73.00	65.0	15.0	21.5
55mm	55.00	71.0	49.0	75.40	66.5	9.0	16.0	75.00	67.0	15.0	21.5
58mm	58.00	77.0	52.0	78.40	69.5	9.0	16.0	78.00	70.0	18.0	25.0
60mm	60.00	79.0	53.0	80.40	71.5	11.5	16.0	80.00	72.0	17.0	24.0
63mm	63.00	82.0	83.0	-	-	-	-	83.00	75.0	14.5	21.5
65mm	65.00	84.0	54.3	85.40	76.5	11.5	15.7	85.00	77.0	15.7	22.7
68mm	68.00	87.0	55.3	91.50	82.7	11.5	16.7	90.00	81.0	17.7	24.7
70mm	70.00	89.0	56.3	92.00	83.0	9.0	15.7	92.00	83.0	23.7	30.7
75mm	75.00	94.0	56.3	99.00	90.2	11.5	16.7	97.00	88.0	23.7	30.7
80mm	80.00	99.0	59.3	104.00	95.2	11.5	17.7	105.00	95.0	20.7	27.7

Seat Options



GENERAL PURPOSE SEAL T2100



DESIGN FEATURES

- **Self Aligning**
Compensates for irregular shaft end play and run-out, seal face wear and equipment tolerances, leading to improved service life.
- **Mechanical Drive**
Drive band design and intermeshing tangs provide positive drive to the seal face. Reducing stressing in the rubber bellows and eliminating slippage.
- **Non-Clogging Single Coil Spring**
Provides greater reliability than multi spring designs, preventing the build-up of solids & decreasing the chances of seal hang-up.

APPLICATIONS

- Used in high performance / high pressure general services applications.
- Centrifugal, Rotary & Turbine Pumps, Compressors, Chillers, Mixers, Agitators, Blenders & Other Rotary Shaft Equipment.
- Suitable for almost all Sectors of Industry.

OPERATING CONDITIONS

- **Pressure**
≤ 20 Bar. (290 psi)
- **Temperature**
- 40°C ~ 204°C
- **Shaft Speed**
≤ 15m/sec

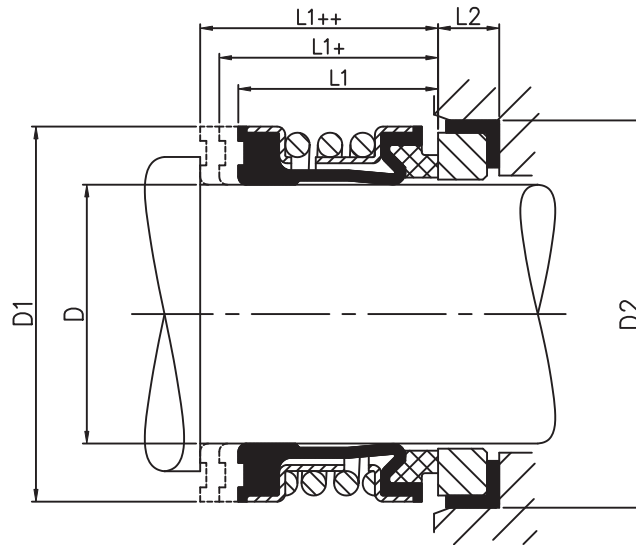
MATERIAL OPTIONS

- **Retainer/Spring**
302 SS / 304 SS
- **Rotary Face**
Carbon & Silicon Carbide
- **Stationary Face**
Ceramic, 316 SS, Ni-Resist, & Silicon Carbide
- **Elastomers**
Nitrile, Viton & Ethylene Propylene

SIZE RANGE

- **Imperial Shaft Size**
0.375" ~ 3.750"
- **Metric Shaft Size**
10mm ~ 100mm





T2100 Dimensions

Imperial

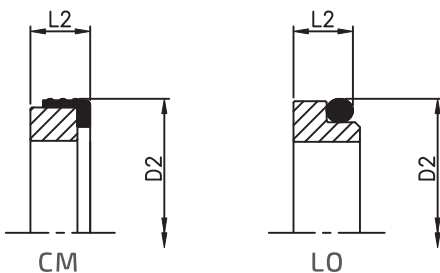
Metric

SHAFT SIZE	D	D1	L1	L1+
0.375" (3/8")	9.53	20.0	15.0	-
0.500" (1/2")	12.70	24.0	15.0	20.6
0.625" (5/8")	15.88	26.0	15.0	22.2
0.750" (3/4")	19.05	32.0	20.0	22.2
0.875" (7/8")	22.23	36.0	20.0	23.8
1.000" (1")	25.40	39.0	20.0	25.4
1.125" (1 1/8")	28.58	42.0	26.0	27.0
1.250" (1 1/4")	31.75	46.0	26.0	27.0
1.375" (1 3/8")	34.93	49.0	26.0	28.6
1.500" (1 1/2")	38.10	54.0	30.0	30.1
1.625" (1 5/8")	41.28	56.0	30.0	34.9
1.750" (1 3/4")	44.45	61.0	30.0	34.9
1.875" (1 7/8")	47.63	64.0	30.0	38.1
2.000" (2")	50.80	66.0	30.0	38.1
2.125" (2 1/8")	53.98	69.0	30.0	42.8
2.250" (2 1/4")	57.15	77.0	33.0	42.8
2.375" (2 3/8")	60.33	80.0	33.0	46.0
2.500" (2 1/2")	63.50	83.0	33.0	46.0
2.750" (2 3/4")	69.85	89.0	33.0	-
3.000" (3")	76.20	99.0	40.0	-
3.250" (3 1/4")	82.55	104.0	40.0	-
3.500" (3 1/2")	88.90	112.0	40.0	-
3.750" (3 3/4")	95.25	118.0	40.0	-

SHAFT SIZE	D	D1	D2	L1	L1+	L1++	L2
10mm	10.00	20.0	21.00	15.0	27.5	35.0	5.5
12mm	12.00	22.0	23.00	15.0	26.5	34.0	5.5
14mm	14.00	24.0	25.00	15.0	29.0	34.0	5.5
15mm	15.00	25.0	26.00	15.0	29.0	34.0	5.5
16mm	16.00	26.0	27.00	15.0	29.0	34.0	5.5
18mm	18.00	32.0	33.00	20.0	31.5	39.0	7.0
20mm	20.00	34.0	35.00	20.0	31.5	39.0	7.0
22mm	22.00	36.0	37.00	20.0	31.5	39.0	7.0
24mm	24.00	38.0	39.00	20.0	34.0	44.0	7.0
25mm	25.00	39.0	40.00	20.0	34.0	44.0	7.0
28mm	28.00	42.0	43.00	26.0	36.5	44.0	7.0
30mm	30.00	44.0	45.00	26.0	35.5	43.0	7.0
32mm	32.00	46.0	48.00	26.0	35.5	48.0	7.0
33mm	33.00	47.0	48.00	26.0	35.5	48.0	7.0
35mm	35.00	49.0	50.00	26.0	34.5	47.0	7.0
38mm	38.00	54.0	56.00	30.0	37.0	47.0	8.0
40mm	40.00	56.0	58.00	30.0	37.0	47.0	8.0
43mm	43.00	59.0	61.00	30.0	37.0	52.0	8.0
45mm	45.00	61.0	63.00	30.0	37.0	52.0	8.0
48mm	48.00	64.0	66.00	30.0	35.0	50.0	8.0
50mm	50.00	66.0	70.00	30.0	37.5	50.0	8.5
53mm	53.00	69.0	73.00	30.0	37.5	60.0	8.5
55mm	55.00	71.0	75.00	30.0	37.5	60.0	8.5
60mm	58.00	80.0	80.00	33.0	40.5	58.0	8.5
63mm	60.00	83.0	83.00	33.0	40.5	58.0	8.5
65mm	65.00	85.0	85.00	33.0	40.5	68.0	8.5
70mm	70.00	90.0	92.00	33.0	48.0	68.0	9.5
75mm	75.00	99.0	97.00	40.0	48.0	68.0	9.5
80mm	80.00	104.0	105.00	40.0	47.5	77.5	10.0
85mm	85.00	109.0	110.00	40.0	47.5	77.5	10.0
90mm	90.00	114.0	115.00	40.0	52.5	77.5	10.0
100mm	100.00	124.0	125.00	40.0	52.5	77.5	10.0

* L1+ = Interchangeable with T21 Standard Seal

Seat Options



* L1+ = DIN L1K Working Length * L1++ = DIN L1N Working Length

DESIGN FEATURES

- **Simple And Compact**
Simple design and compact working length allows for installation in a wide variety of pumps, both internally and externally.
- **Chemical Compatibility**
The wide choice of O-Ring and face material combinations provides excellent compatibility in almost any chemical application.
- **Reliable Positive Drive**
Grub Screws provide bi-directional positive drive from the shaft through to the seal face, eliminating slippage and increasing reliability.

APPLICATIONS

- Capable of handling a wide range of chemicals & abrasive media.
- Suitable for almost all Sectors of Industry: e.g. Waste Water Industry, Food & Beverage Industry and Chemical Industry.
- Water Pumps, Lobe Pumps, Gear Pumps & Chemical Pumps.

OPERATING CONDITIONS

- **Pressure**
≤ 10 Bar. (145 psi)
- **Temperature**
- 30°C ~ 204°C
- **Shaft Speed**
≤ 15m/sec

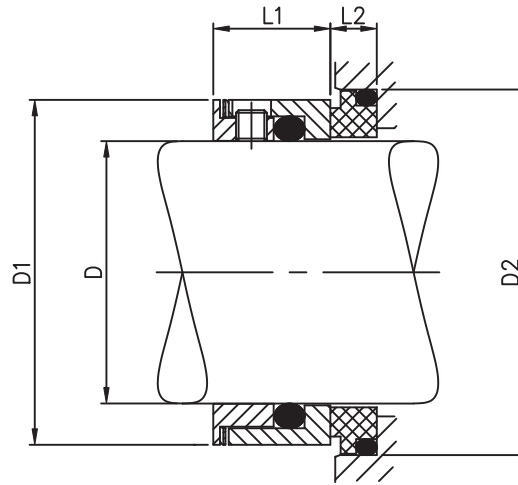
MATERIAL OPTIONS

- **Retainer/Spring**
304 SS / 316 SS
- **Rotary Face**
Carbon, 316 SS, Silicon Carbide & Tungsten Carbide
- **Stationary Face**
Carbon, 316 SS, Silicon Carbide & Tungsten Carbide
- **Elastomers**
Nitrile, Viton, Neoprene & EPR

SIZE RANGE

- **Imperial Shaft Size**
0.625" ~ 4.000"
- **Metric Shaft Size**
16mm ~ 100mm





T80 Dimensions

Imperial

SHAFT SIZE	D	D1	D2	L1	L2
0.625" (5/8")	15.88	26.6	28.60	18.4	7.0
0.750" (3/4")	19.05	29.7	31.75	18.4	7.0
0.875" (7/8")	22.23	34.5	34.95	18.4	7.0
1.000" (1")	25.40	37.0	38.10	19.0	8.0
1.125" (1 1/8")	28.58	40.0	41.30	19.0	8.0
1.250" (1 1/4")	31.75	43.7	44.45	19.0	8.0
1.375" (1 3/8")	34.93	46.5	47.65	19.0	8.0
1.500" (1 1/2")	38.10	49.8	50.80	19.0	8.0
1.625" (1 5/8")	41.28	56.0	57.15	21.5	8.5
1.750" (1 3/4")	44.45	58.5	60.30	21.5	8.5
1.875" (1 7/8")	47.63	62.0	63.50	21.5	8.5
2.000" (2")	50.80	65.1	66.65	22.7	9.0
2.125" (2 1/8")	53.98	68.0	73.00	22.7	9.0
2.250" (2 1/4")	57.15	74.0	76.20	22.7	9.0
2.375" (2 3/8")	60.33	77.2	79.40	22.7	9.0
2.500" (2 1/2")	63.50	80.4	82.55	22.7	9.0
2.750" (2 3/4")	69.85	86.7	88.90	22.7	9.0
2.875" (2 7/8")	73.03	91.4	92.10	22.7	9.0
3.000" (3")	76.20	92.0	95.25	25.5	9.5
3.250" (3 1/4")	82.55	99.2	101.60	25.5	9.5
3.500" (3 1/2")	88.90	106.5	107.95	28.0	10.0
3.750" (3 3/4")	95.25	112.8	114.30	28.0	10.0
4.000" (4")	101.60	122.0	127.00	28.0	10.0

Metric

SHAFT SIZE	D	D1	D2	L1	L2
16mm	16.00	26.6	28.60	18.4	7.0
18mm	18.00	28.6	31.00	18.4	7.0
20mm	20.00	30.6	33.00	18.4	7.0
22mm	22.00	32.9	35.00	18.4	7.0
25mm	25.00	37.0	38.00	19.0	8.0
28mm	28.00	40.0	42.00	19.0	8.0
30mm	30.00	42.0	44.00	19.0	8.0
32mm	32.00	43.5	45.00	19.0	8.0
35mm	35.00	46.5	47.60	19.0	8.0
38mm	38.00	49.8	52.00	19.0	8.0
40mm	40.00	53.0	54.00	21.5	8.5
45mm	45.00	58.8	60.00	21.5	8.5
48mm	48.00	61.0	63.00	21.5	8.5
50mm	50.00	63.0	64.00	22.7	9.0
55mm	55.00	71.0	75.00	22.7	9.0
60mm	60.00	76.0	80.00	22.7	9.0
63mm	63.00	79.0	83.00	22.7	9.0
65mm	65.00	81.0	85.00	22.7	9.0
70mm	70.00	86.0	90.00	22.7	9.0
75mm	75.00	90.0	100.00	25.5	9.5
80mm	80.00	96.0	105.00	25.5	9.5
85mm	85.00	105.0	110.00	28.0	10.0
90mm	90.00	109.6	115.00	28.0	10.0
95mm	95.00	115.0	125.00	28.0	10.0
100mm	100.00	120.0	130.00	28.0	10.0

CONTACT US

P 07 3216 6144

F 07 3216 6155

E sales@bencoseals.com.au

A 46 Annie St,

Rocklea QLD 4106

WWW.BENCOSEALS.COM.AU

